

SONY

Press Release

Sony Launches New Flagship α A-mount Camera, the α 99 II



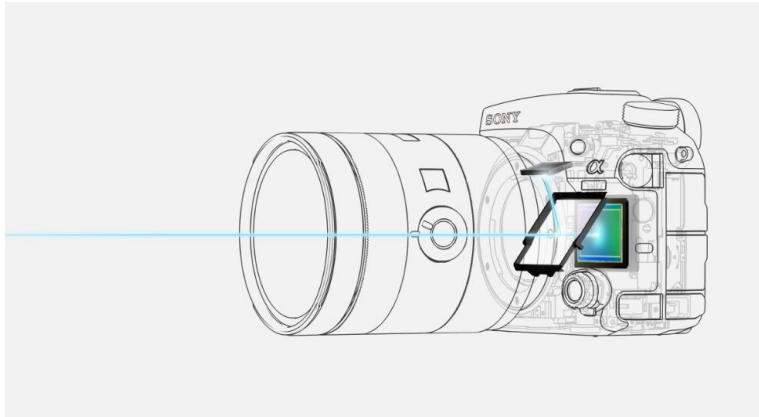
- **Full-frame 4D Focus: Innovative Hybrid Phase Detection AF system with accurate 79 hybrid cross AF points¹ enabled by 79-point dedicated and 399-point focal-plane AF sensors and continuous shooting at up to 12fps²**
- **High resolution 42.4 effective MP 35mm Full-frame Exmor R™ CMOS sensor, synergize BIONZ X Engine with Front-End LSI**
- **Newly developed optical 5-axis in-body image stabilisation system**
- **Outstanding operability and reliability in newly designed downsized body**
- **Internal 4K movie recording in XAVC-S format³ with host of pro-orientated movie features**

Hong Kong, October 21, 2016 – Reaffirming its commitment to produce industry leading A-mount interchangeable lens cameras, Sony today launched a new flagship α A-mount model, the α 99 II. A successor to the highly acclaimed α 99, the new α 99 II combines the best of Sony's latest digital imaging innovations including a new Hybrid Phase Detection AF system with exclusive Sony A-mount features such as Translucent Mirror Technology™ (TMT). The result is a supremely specified, professional level camera that will be particularly appealing to sports and wildlife photographers.

¹ The number of usable AF points may depend on the lens and shooting mode. Up to 323 focus points are selectable. Not available for movie recording.

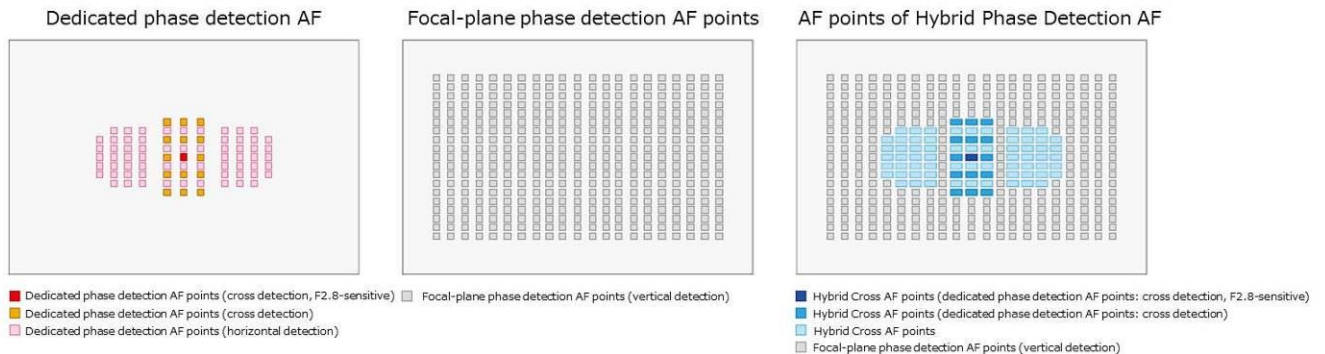
² Continuous shooting mode set to 'Hi+'.

³ Class 10 or higher SDHC/SDXC memory card required for XAVC S format movie recording. UHS-I (U3) SDHC/SDXC card required for 100Mbps recording.



Redefining Autofocus

The newly developed Phase Detection AF System is capable of ‘full-time AF’ and is the first implementation of 4D FOCUS in the full-frame α series, bringing a supreme new level of AF performance to **α 99 II** users. The Hybrid Phase Detection AF System is enabled by combining a precision 79-point⁴ dedicated phase detection AF sensor with 399 focal plane phase detection AF points¹ to produce a 79 hybrid cross AF point⁵ array. These cross points deliver incredibly precise autofocus performance and advanced subject tracking of any moving objects right across the image, at high speed. In addition, as there is no moving mirror, TMT enables continuous AF operation and the finder image remains unaffected during any type of shooting, including live view and movie recording.



Improvements to the EVF display algorithm now deliver continuous live-view shooting at up to 8 fps⁶ with AF/AE tracking with minimal display lag so that the viewing experience is essentially no different from that of an optical viewfinder. Exposure, white balance and other camera settings are displayed in real time in the viewfinder and continuous live view shooting can be set in 3 stages to match a variety of subjects: 8 fps, 6 fps and 4 fps.

⁴ The number of usable AF points may depend on the lens and shooting mode.

⁵ Hybrid Phase Detection AF active. The dedicated phase detection AF sensor or focal-plane phase detection AF sensor may be used independently in certain photographic situations.

⁶ Continuous shooting mode set to ‘Hi’



Pixel Power

The back-illuminated full-frame 42.4MP⁷ Exmor R CMOS sensor benefits from a gapless-on-chip design and allows for fast readout of large volumes of data as well as being extremely efficient in its light gathering ability. The net result is very high sensitivity with low noise, wide dynamic range and 42.4MP resolution across an ISO range of 100-25600, expandable to ISO 50 – 102,400⁸. The **α99 II** has been designed without an optical low-pass filter to allow the finest natural details and textures to be captured with unprecedented depth and realism and the photographer can select compressed or uncompressed RAW files, as required.

5-axis SteadyShot™ INSIDE Image Stabilisation

Having proved to be incredibly popular in the α7 II series of cameras, Sony has designed a new in-body 5 axis image stabilisation system for A-mount cameras which debuts for the first time in the **α99 II**. In addition to movement in the pitch and yaw axes that tend to occur at longer focal lengths, this system effectively detects and compensates for shift blur that can occur on the X and Y axes when shooting close-up, and roll blur that is often apparent in still images and movies that are shot at night. Newly implemented precision gyro sensors are capable of precisely detecting even tiny camera movements that can cause blurring, providing a 4.5 step⁹ shutter speed advantage that can help realise the full potential of the 42.4MP sensor, in both stills and movies. The effect of image stabilisation can be monitored in the viewfinder or on the LCD screen during live view when the shutter button is half pressed or the Focus Magnifier functions are used. This allows framing and focus to be accurately checked via live view when shooting at telephoto focal lengths or macro distances.

⁷ Approximate effective megapixels

⁸ Still images only

⁹ CIPA standards. Pitch/yaw shake only. SAL135F18Z lens. Long exposure NR off.



Movie Magic

The **α99 II** enables internal 4K movie recording¹⁰ featuring full pixel readout, without pixel binning¹¹, for ultimate high resolution video in the pro friendly XAVC S format. It is capable of recording high quality footage at 100Mbps for 4K recording. A new ‘Slow and Quick’ mode¹² (S&Q) supports both slow motion and quick motion. Frame rates from 1 fps to 120 fps (100 fps) can be selected in 8 steps for up to 60x (50x) quick motion and 5x (4x) slow motion recording¹³. A number of features designed for a professional movie production workflow are included such as picture profiles, time code and HDMI clear output and the new **α99 II** now also offers gamma assist for real time S-Log monitoring and a zebra mode for easier exposure adjustment. S-Log3 and S-Log2 gamma are now included, making wide dynamic range shooting possible with blown highlights or blocked shadows making the **α99 II** easily integratable into a fully professional movie production workflow.

Improved design and operability

The design of the new **α99 II** has noticeably evolved compared to its predecessor, based upon feedback from professional users. The new model is 8% smaller than the original α99 and has a newly designed grip, magnesium alloy body, dual SD¹⁴ card slot and other upgrades that improve both hold and operation. All major buttons and dials are provided with seals and the media jack cover and enclosure edges feature tongue and groove – the result is a body that is both dust and moisture resistant¹⁵ and can be used in the toughest and most challenging shooting conditions. In addition to being designed for faster response, the new shutter unit is also more durable and has passed endurance tests in excess of 300,000 shutter operations¹⁶. The XGA OLED Tru-finder has a ZEISS® T* Coating and has a 4 element lens group that includes a double sided aspherical element whilst offering a powerful 0.78x magnification, delivering outstanding clarity from corner to corner. It also has a fluorine coating on the outer lens to prevent fingerprints, dust, water, oil and dirt from sticking, thus ensuring a clear view.

¹⁰ SDHC/SDXC memory card of Class 10 or higher is required for movie recording in XAVC S format. UHS-I (U3) SDHC/SDXC card is required for 100Mbps recording.

¹¹ In Super 35mm recording mode.

¹² Sound cannot be recorded. SDHC/SDXC memory card of Class 10 or higher is required.

¹³ In NTSC (PAL) system.

¹⁴ One slot can hold an SD card or a Memory Stick.

¹⁵ Not guaranteed to be 100% dust and moisture proof.

¹⁶ Electronic front curtain shutter activated.

The silent Multi Controller introduced in the original α99 has been improved so that in addition to allowing control of aperture, shutter speed, ISO, exposure compensation, AF area, AF mode and other settings, it now features a click-stop ON/OFF switch. When ON, the preferred setting for still image shooting, the control clicks, providing a tactile indication of the length of rotation. When OFF, the control turns smoothly and quietly, ideal for movie shooting. Location data acquisition has also been made possible via Bluetooth¹⁷ connection to a compatible mobile device and it is now possible to select whether the storage location should just be on a tethered computer or also on camera for easy review without leaving the shooting position. Based upon feedback from a number of α users, the menu structure of the **α99 II** has also been updated to deliver a smoother navigational experience.

The new α99 II A-mount interchangeable lens camera from Sony will be launch at HK\$23,490 (body only) from mid-November 2016.

Order Now

From October 21 to November 13, the new α99 II A-mount interchangeable lens camera is available for pre-ordering at all Sony Stores, Sony Store online (www.sony.com.hk/store) and Sony sales hotline at (852) 2345-2966 as well as authorized dealers. Customers ordering the α99 II will receive a Sony rechargeable battery NP-FM500H (worth \$450) and SD memory card SF-64UZ (worth \$ 369) for free.

For customer enquiries, please contact Sony hotline service at (852) 2345-2966.

About Hong Kong Marketing Company

Hong Kong Marketing Company (HKMC), a division of Sony Corporation of Hong Kong Limited, provides sales, marketing and after sales services for Sony's consumer electronics products as well as broadcast and professional products in Hong Kong and Macau. For more information on Sony's products and services, please visit our website at <http://www.sony.com.hk> and [Sony HK Facebook](#).

###

¹⁷ Requires pairing with compatible mobile devices running the PlayMemories Mobile app. Supported devices are Android smartphones running Android 5.0 or later and compatible with Bluetooth 4.0 or later. iPhone/iPad: iPhone 4S or later/iPad 3rd generation or later.

Specifications of Sony 35mm full frame Interchangeable-lens digital camera α 99M2:

Model	α99 II
General	
Camera type	Interchangeable-lens digital camera
Lens mount	A-mount
Image sensor	
Type	35mm full frame (35.9 x 24.0mm), <i>ExmorR</i> CMOS sensor
Number of pixels (effective)	Approx. 42.4 megapixels
Number of pixels (total)	Approx. 43.6 megapixels
Image sensor aspect ratio	3:2
Anti-dust system	Yes
Recording system (still image)	
Recording format	JPEG (DCF Ver. 2.0, Exif Ver. 2.3, MPF Baseline compliant), RAW (Sony ARW 2.3 format)
Image size (pixels)	<p>3:2 aspect ratio 35mm full frame L: 7952 x 5304 (42M), M: 5168 x 3448 (18M), S: 3984 x 2656 (11M)</p> <p>APS-C L: 5168 x 3448 (18M), M: 3984 x 2656 (11M), S: 2592 x 1728 (4.5M)</p> <p>16:9 aspect ratio 35mm full frame L: 7952 x 4472 (36M), M: 5168 x 2912 (15M), S: 3984 x 2240 (8.9M)</p> <p>APS-C L: 5168 x 2912 (15M), M: 3984 x 2240 (8.9M), S: 2592 x 1456 (3.8M)</p>
	<p>Sweep Panorama Wide: Horizontal 12416 x 1856 (23M), vertical 5536 x 2160 (12M), Standard: Horizontal 8192 x 1856 (15M), vertical 3872 x 2160 (8.4M)</p>
Image quality modes	RAW, RAW & JPEG, JPEG Extra fine , JPEG Fine, JPEG Standard
RAW output	14 bit
Uncompressed RAW	Yes
Picture Effect	8 types: Toy Camera(Normal/Cool/Warm/Green/Magenta), Pop Color, Posterization (B/W, Color), Retro Photo, Soft High-key , Partial Color (R/G/B/Y), High Contrast Monochrome, Rich-tone Monochrome
Creative Style	Standard, Vivid, Neutral, Clear, Deep, Light, Portrait, Landscape, Sunset, Night Scene, Autumn Leaves, Black & White, Sepia, Style Box (1-6), (Contrast -3 to +3 steps, Saturation -3 to +3 steps, Sharpness -3 to +3 steps)
Dynamic range functions	Off, Dynamic Range Optimizer (Auto/Level(1-5)), Auto High Dynamic Range: Auto Exposure Difference, ExposureDifference Level (1.0-6.0 EV, 1.0 EV step)

Color space	sRGB standard(with sYCC gamut), Adobe RGB standard compatible with TRILUMINOS™ Color	
Recording system (movie)		
Recording format	XAVC S/ AVCHD format Ver 2.0 compliant/ MP4	
Video compression	XAVC S: MPEG-4 AVC/H.264, AVCHD: MPEG-4 AVC/H.264, MP4: MPEG-4 AVC/H.264	
Audio recording format	XAVC S: LPCM, 2ch AVCHD: Dolby Digital (AC-3), 2ch, Dolby Digital Stereo Creator MP4: MPEG-4 AAC-LC, 2ch	
Image size (pixels)	XAVC S 4K: 3840 x 2160 (30p/100Mbps, 30p/60Mbps, 24p/100Mbps, 24p/60Mbps, 25p/100Mbps, 25p/60Mbps) XAVC S HD: 1920 x 1080 (120p/100 Mbps, 100p/100 Mbps, 120p/60 Mbps, 100p/60 Mbps, 60p/50Mbps, 50p/50Mbps, 30p/50Mbps, 25p/50Mbps, 24p/50Mbps) AVCHD: 1920 x 1080 (60p/28Mbps/PS, 50p/28Mbps/PS, 60i/24Mbps/FX, 50i/24Mbps/FX, 60i/17Mbps/FH, 50i/17Mbps/FH, 24p/24Mbps/FX, 25p/24Mbps/FX, 24p/17Mbps/FH, 25p/17Mbps/FH) MP4: 1920 x 1080 (60p/28Mbps, 50p/28Mbps, 30p/16Mbps, 25p/16Mbps), 1280 x 720 (30p/6Mbps, 25p/6Mbps)	
Slow & Quick Motion (S&Q)	Image size (frame rate)	NTSC mode: 1920x1080 (60p, 30p, 24p) PAL mode: 1920x1080 (50p, 25p)
	Image frame rate	NTSC mode: 1fps, 2fps, 4fps, 8fps, 15fps, 30fps, 60fps, 120fps PAL mode: 1fps, 2fps, 3fps, 6fps, 12fps, 25fps, 50fps, 100fps
Picture Profile	Yes (Off / PP1-PP9) Parameters: Black level, Gamma (Movie, Still, Cine1-4, ITU709, ITU709 [800%], S-Log2, S-Log3), Black Gamma, Knee, Color Mode, Saturation, Color Phase, Color Depth, Detail, Copy, Reset	
Movie functions	Audio Level Display, Audio Rec Level, Auto Slow Shutter, HDMI info. Display (On/Off selectable), Time Code/User Bit, Picture Profile, Creative Style, Picture Effect, Rec Control, Dual Video Rec, Marker Setting, PAL/NTSC Selector, Gamma Display Assist	
Color space	xvYCC standard (x.v.Color when connected via HDMI cable) compatible with TRILUMINOS™ Color	
Clean HDMI output		
	3840 x 2160 (30p, 25p, 24p) / 1920 x 1080 (50p/50i/24p/60p/60i), YCbCr 4:2:2 8bit/ RGB 8bit	
Media		
Media	Memory Stick PRO Duo, Memory Stick PRO-HG Duo, Memory Stick Micro (M2), SD memory card, SDHC memory card (UHS-I compliant), SDXC memory card (UHS-I compliant), microSD memory card, microSDHC memory card, microSDXC memory card	
Slot	Multi slot for Memory Stick Duo/ SD memory card	

Recording System	
Location information Link from smartphone	Yes
Recording mode on 2 memory cards	Simult. Rec (Still), Simult. Rec (Movie), Simult. Rec (Still/Movie), Sort (JPEG/RAW), Sort (Still/Movie), Copy
Noise reduction	
Noise reduction	Long exposure NR: On/Off, available at shutter speeds longer than 1 sec., High ISO NR: Normal/Low/ Off selectable
White balance	
Modes	Auto WB / Daylight / Shade / Cloudy / Incandescent / Fluorescent (Warm White / Cool White / Day White / Daylight) / Flash / Color Temperature (2500 to 9900K) & Color Filter (G7 to M7: 57 steps, A7 to B7: 29 steps) / Custom / Underwater
AWB micro adjustment	Yes
Priority Set in AWB	Yes
Bracketing	3 frames, H/L selectable
Focus system	
Type	TTL Phase-detection AF
Focus point	Detection sensor 1: 79 points (15 cross-type points, F2.8-sensitive at the center point) Detection sensor 2: 399 points (323 selectable points, 79 hybrid-cross auto focus points*) * When Hybrid Phase Detection AF is activated
Sensitivity range	Detector 1: Center area EV -4 to 18 (at ISO 100 equivalent, with F2.8 lens attached)
AF modes	Single-shot AF (AF-S), Continuous AF (AF-C), Direct Manual Focus (DMF), Manual Focus
Focus area	Wide / Zone / Center / Flexible Spot (S/M/L) / Expanded Flexible Spot / Lock-on AF (Wide / Zone / Center / Flexible Spot (S/M/L) / Expanded Flexible Spot)
Other features	Lock-on AF, Eye AF, Focus lock; Eye-start AF and AF micro adjustment, AF Range Control, Predictive control (AF-A, AF-C)
Exposure control	
Metering type	1200-zone evaluative metering
Metering sensor	<i>Exmor R CMOS sensor</i>
Metering sensitivity	EV -2 to EV 17 (at ISO 100 equivalent with F1.4 lens attached)
Metering modes	Multi-segment, Center-weighted, Spot (Standard/Large (Focus Point Link/Center)), Entire Screen Avg., Highlight
Exposure modes	AUTO (iAUTO), Programmed AE (P), Aperture priority (A), Shutter-speed priority (S), Manual (M), Sweep Panorama, Movie / Slow & Quick Motion (Programmed AE (P), Aperture priority (A) / Shutter-speed priority (S) / Manual (M) selectable)
Exposure compensation	+/-5.0 EV (in 1/3 EV or 1/2 EV steps)
AE Bracketing	Bracket: Single/Bracket: Cont., 3/5/9 frames selectable. With 3 or 5 frames, in 1/3, 1/2, 2/3, 1.0, 2.0 or 3.0 EV increments, with 9 frames, in 1/3, 1/2, 2/3 or 1.0 EV increments.
AE lock	Available with AE lock button. Locked when focus is locked in multi-segment metering mode.
ISO sensitivity	Still images:

(Recommended Exposure Index)	ISO 100-25600 (expandable to ISO 50–102400 for shooting still images), AUTO (ISO 100-6400, selectable lower limit and upper limit) Movies: ISO 100-25600 equivalent, AUTO (ISO 100-6400, selectable lower limit and upper limit)
Anti-flicker Shoot.	Yes
Viewfinder	
Type	XGA OLED, 1.3cm (0.5 type) electronic viewfinder (color)
Number of dots (total)	2,359,296 dots
Brightness control	Auto/Manual (5 steps between -2 and +2)
Color temperature control	Manual (5 steps)
Field coverage	100%
Magnification	Approx. 0.78x (with 50mm lens at infinity, -1m ⁻¹)
Diopter adjustment	-4.0 to +3.0m ⁻¹
Eye point	Approx. 23mm from the eyepiece lens, 18.5mm from the eyepiece frame at -1m ⁻¹ (CIPA standard)
Display	Graphic Display / Display All Info. / No Disp. Info. / Histogram / Digital Level Gauge
Real-time image-adjustment display	On/Off
LCD screen	
Type	7.5cm (3.0 type) TFT drive
Total number of dots	1,228,800 dots
Brightness control	Auto, Manual (5 steps between -2 and +2), Sunny Weather mode
Adjustable angle	Tilt angle: 134 degrees upward and 180 degrees downward. Rotation angle: 180 degrees clockwise and 90 degrees counterclockwise.
Display selector (Finder/LCD)	Auto/Manual
Display	Graphic Display / Display All Info. / No Disp. Info. / Histogram / Digital Level Gauge / Shooting information for viewfinder mode
Real-time image-adjustment display	On/Off
Zebra	Yes (selectable level + range or lower limit as custom setting)
Peaking MF	Yes (Level setting: High/Mid/Low/Off, Color: White/Red/Yellow)
Other features	
Face Detection	On / On (Regist. Faces) / Off, Face registration, Face selection (Max. number of detectable faces: 8)
Auto Object Framing	Yes
Clear Image Zoom	Still: 35mm full frame: L: approx 2x, M: approx 3.1x, S: approx 4x APS-C: L: approx 2x, M: approx 2.6x, S: approx 4x / Movie: Approx. 2x
Digital zoom	Smart zoom(still images): 35mm full frame: M: Approx. 1.5x, S: Approx. 2.0x APS-C: M: Approx. 1.3x, S: Approx. 2.0x Digital zoom(still images): 35mm full frame: L: Approx. 4x, M: Approx. 6.2x, S: Approx. 8.0x

	<p>APS-C: L: Approx. 4x, M: Approx. 5.2x, S: Approx. 8.0x</p> <p>Digital zoom (movies): 35mm full frame: Approx. 4x</p> <p>APS-C: Approx. 4x</p>
Smart Teleconverter	Yes (approx.1.4 x / 2x)
PlayMemories Camera Apps	No
Lens compensation	Peripheral shading, chromatic aberration, distortion
Shutter	
Type	Electronically controlled, vertical-traverse, focal-plane type
Shutter speed	<p>Still Images: 1/8000 to 30 sec., Bulb, Movies: 1/8000 to 1/4 (1/3 step).</p> <p>PAL: Up to 1/50 in AUTO mode (up to 1/25 in Auto Slow Shutter mode)</p>
Flash sync. speed	1/250 sec
Electronic front curtain shutter	Yes, On/Off
SteadyShot INSIDE (image stabilization)	
Type	Image Sensor-Shift mechanism with 5-axis compensation (Compensation depends on lens specifications)
Compensation effect	4.5 steps (based on CIPA standard. Pitch/yaw shake only. With SEL 135F18Z lens mounted. Long exposure NR off.)
Flash Control (with optional external flash)	
Control	ADI /Pre-flash TTL
Flash compensation	+/-3.0 EV (switchable between 1/3 and 1/2 EV steps)
Flash bracketing	3/5/9 frames selectable. With 3 or 5 frames, in 1/3, 1/2, 2/3, 1.0, 2.0, 3.0 EV increments, with 9 frames, in 1/3, 1/2, 2/3, 1.0 EV increments.
Flash modes	Flash off, Autoflash, Fill-flash, Slow Sync., Rear Sync. Red-eye reduction (On/Off selectable), Hi-speed sync ^{*1} , Wireless ^{*1}
External flash	Sony α System Flash compatible with Multi Interface Shoe. Attach the shoe adaptor(ADP-MAA, sold separately) for flash compatible with Auto-lock Accessory Shoe.Compatible with Sony Radio-controlled Lighting System
FE level lock	Yes
Drive	
Drive modes	Single shooting, Continuous shooting, Speed Priority Continuous Shooting, Self-timer(10/5/2 sec delay selectable), Self-timer (Cont.)(with 10/5/2 sec delay 3/5 frames selectable), Bracketing (Cont., Single, White Balance, DRO)
Speed (approx., max.) ^{*2}	Continuous shooting: Hi+: 12 fps, Hi: 8 fps, Mid: 6 fps, Lo: 4 fps
No. of recordable frames ^{*2} (approx.)	<p>[Continuous shooting: Hi+] Extra fine: 60 images/Fine: 63 images/Standard: 64 images/RAW & JPEG: 54 images/RAW: 54 images/RAW(Uncompressed) & JPEG: 24 images/RAW(Uncompressed): 25 images</p> <p>[Continuous shooting: Hi] Extra fine: 65 images,Fine: 71 images,Standard: 74 images,RAW & JPEG: 56 images,RAW: 57 images,RAW(Uncompressed) & JPEG: 25</p>

	images,RAW(Uncompressed): 26 images
Playback	
Modes	Single (with or without shooting information Y RGB histogram & highlight/shadow warning), 9/25-frame index view , Enlarged display mode (L: 24.9x, M: 16.2x, S: 12.5x, Panorama (Standard): 25.6x, Panorama (Wide): 38.8x), Auto Review (10/5/2 sec, off), Image orientation (Auto/Manual/Off selectable), Slideshow, Panorama scrolling, Folder selection (Still / Date / MP4 / AVCHD / XAVC S HD / XAVC S 4K), Forward/Rewind (Movie), Delete, Protect
Interface	
PC interface	Mass-storage, MTP, PC remote
Multi / Micro USB Terminal* ¹	Yes
Wireless LAN (built-in)	Wi-Fi Compatible, IEEE802.11b/g/n (2.4GHz band)* ² Playback of still images and movies on smartphones, PCs and TVs
NFC TM	Yes(NFC Forum Type 3 Tag compatible. One-touch remote, One-touch sharing)
HD output	HDMI micro connector (Type-D), BRAVIA Sync (link menu), PhotoTV HD, 4K movie output, 4K still image playback
Multi Interface Shoe* ³	Yes
Others	Microphone terminal (3.5mm Stereo minijack), Headphone terminal (3.5mm Stereo minijack), Vertical Grip Connector,DC IN Terminal, Remote Control(Wired)
Audio	
Microphone	Built-in stereo microphone or XLR-K2M/XLR-K1M/ECM-XYST1M(sold separately)
Speaker	Built-in monaural
Print	
Compatible standards	Exif Print, Print Image Matching III, DPOF setting
Power	
Battery	Rechargeable battery pack NP-FM500H
Still images	Approx. 390 shots (Viewfinder) / approx. 490 shots (LCD monitor) (CIPA standard)
Movies	Approx. 135 min (Viewfinder) / Approx. 135 min (LCD monitor) (CIPA standard)
External power	AC Adaptor AC-PW10AM (sold separately)
Weight	
With battery and <i>Memory Stick PRO Duo</i>	Approx. 849g (approx. 1 lb 13.9 oz.)
Body only	Approx. 770g (approx. 1 lb 11.2 oz.)
Dimensions	
W x H x D (excluding protrusions)	Approx. 142.6 mm × 104.2 mm × 76.1 mm

Features and specifications are subject to change without notice.

Remarks

*1Supports Micro USB compatible device.

*2(Configuration method/Access method) WPS or manually /infrastructure mode. When connecting to smartphones, the camera can always work as a base without a wireless access point. (Security: WEP/WPA-PSK/WPA2-PSK)

*3Sony accessories for the Accessory Shoe can be attached.